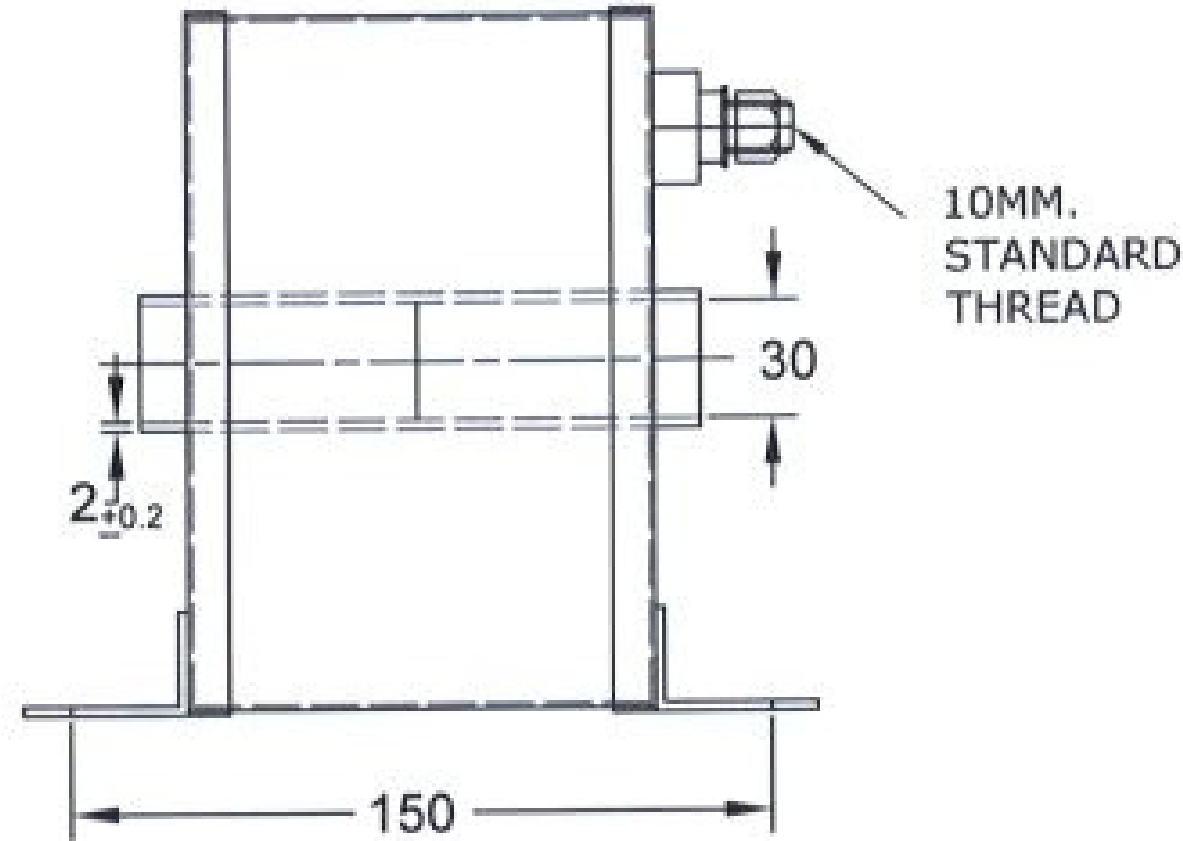
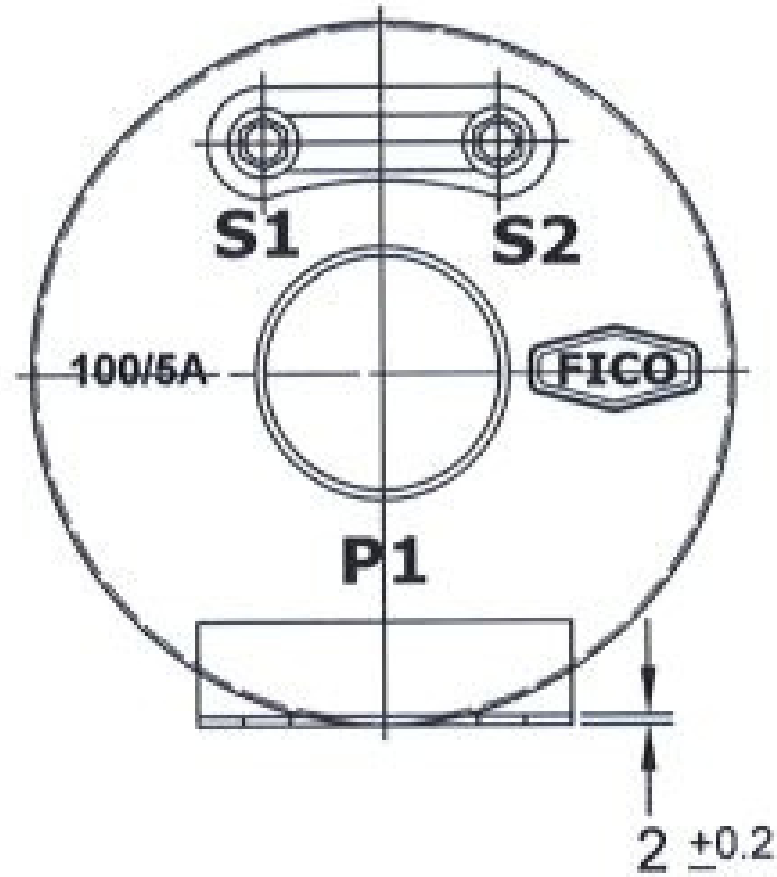




SINCE 1952

# Current Transformers-WPB-30



## Technical Features

SPECIFICATION	
Reference Specification	EN/IEC 61869-1, 61869-2
Rated Primary Current Ipr:	100/5A
Working Frequency:	43...63HZ
Rated Continuous Thermal Current Lcth:	100% LPR
Rated Short-Time Thermal Current Ith:	< 60Ipr
Rated Dynamic Current Idyn:	2,5ith
Instrument Security Factor (FS):	< 5
Rated Secondary Current isr:	5
Max. Power Dissipation	< 20W
Allowed Max Cable or Bus bar Temperature:	125 C
INSULATION REQUIREMENT	
Type	Dry Transformer, Air Insulation
Highest Voltage For Equipment UM:	0.72KV R.M.S
Rated Insulation Level:	3KV R.M.S 50HZ/1min
ENVIRONMENTAL CONDAITIONS	
Nominal Temperature Range:	-25...50 C
Limit Temperature Range For Storage:	-40...85 C
Related Humidity:	< 80%
Suitable For Tropical Climates:	Yes
CONNECTION	
Primary Winding:	Passing Bus Bar
Secondary Winding:	Tightening By Nut M4
MECHANICAL FEATURES	
Housing Material:	Self Extinguishing Polycarbonate
Mounting:	Screw Type On Bar

FICO HI TECH (PVT) LTD



MADE IN PAKISTAN

**FICO HI-TECH (pvt) ltd**

power of applied intelligence

FICO street climaxabad, GT road, gujranwala, Pakistan.

TEL. (0092) 55325553-4  
 MOB. (0092) 3217422155  
 E-MAIL sales@fichotech.com  
 WEBSITE www.fichotech.com

