



SINCE 1952

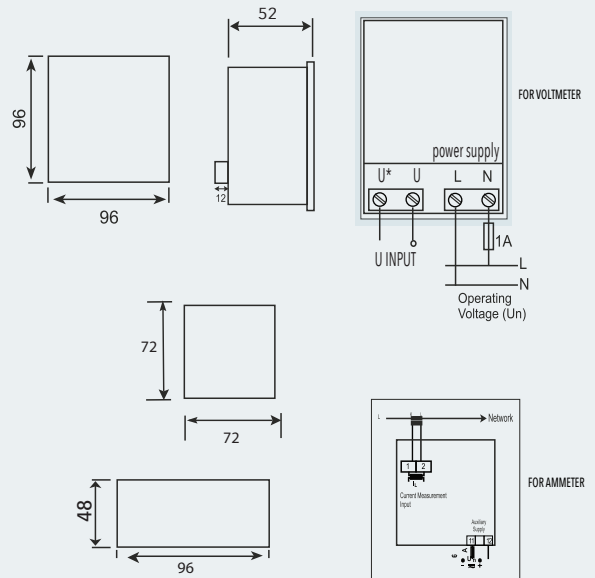
VOLTMETER & AMMETER - DIGITAL FDM - 96A, 96V



Technical features

STANDARDS	
Applied mechanical endurance standard	EN60529
Applied EMC standard	EN61000
Applied security standard	EN61010
VOLTAGE	
Measuring range	10-600VAC
Burden (load)	≤ 5
ACCURACY:	<1% + 1D
SUPPLY	
Operating voltage	110/230VAC (10% Er)
Operating frequency	45-65hz
AMBIENT CONDITION	
Nominal temperature range:	-5...50°C
Relative humidity:	≤ 85%
Suitable for tropical climates	yes
MECHANICAL FEATURES	
DISPLAY	RED LED 14MM
Mounting:	Front panel mounting
Weight:	500g. approx. for 48x96 & 96x96 models 1000g.

Dimensional drawing



The AC Digital Panel Meter has following features:

- 96mm x96mm, 72mm x 72mm, 48mm x 48mm, 96mm x 48mm
- Voltmeter/Ammeter/ Hertz meter
- FDM 96A, FDM 96V & FDM 96F
- FDM 72A, FDM 72V & FDM 72F
- FDM 48A, FDM 48V & FDM 48F
- FDM 96 x 48A, FDM 96 x 48V

NOTE: On request orders for types different from table are accepted. 1A Secondary available



FICO hi-tech (pvt) ltd

FICO street climaxabad, GT road, gujranwala, Pakistan.

TEL. (0092) 55325553-4
MOB. (0092) 3217422155

E-MAIL
WEBSITE

sales@fichotech.com
www.fichotech.com

