

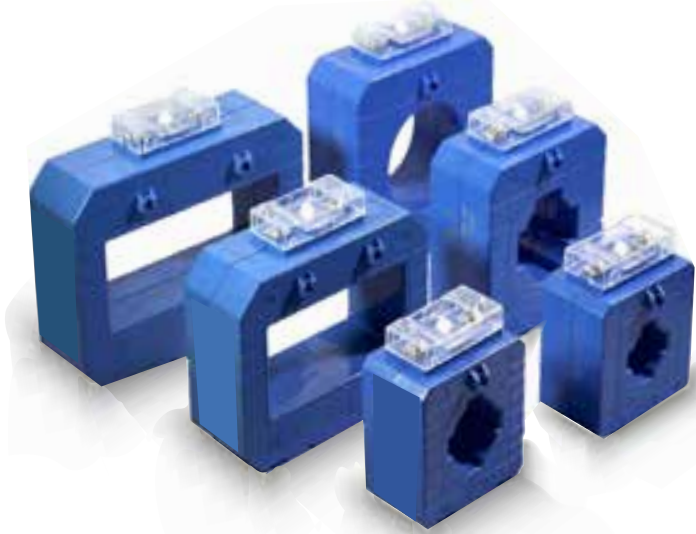


SINCE 1952

# Current transformers - SLC series (10 VA BURDEN) ROUND & RECTANGULAR MODEL



## Cable/passing bar single-phase current transformers

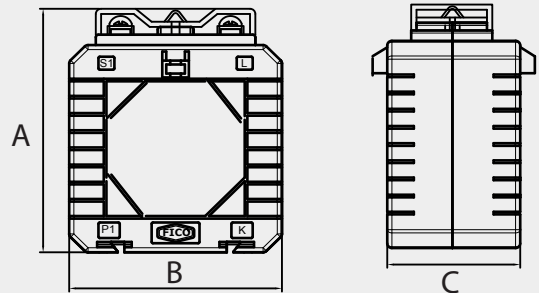


MODEL	Ratio	PT	Class 1	ROUND CONDUCTOR MAX	BAR SIZE MAX
SLC - 30	30/5A	4	10VA	30MM	10MM X 30MM
SLC - 30	50/5A	2	10VA	30MM	10MM X 30MM
SLC - 30	60/5A	1	10VA	30MM	10MM X 30MM
SLC - 30	100/5A	1	10VA	30MM	10MM X 30MM
SLC - 30	150/5A	1	10VA	30MM	10MM X 30MM
SLC - 30	200/5A	1	10VA	30MM	10MM X 30MM
SLC - 30	300/5A	1	10VA	30MM	10MM X 30MM
SLC - 40	400/5A	1	10VA	40MM	10MM X 40MM
SLC - 40	500/5A	1	10VA	40MM	10MM X 40MM
SLC - 40	600/5A	1	10VA	40MM	10MM X 40MM
SLC - 50	400/5A	1	10VA	50MM	20MM X 50MM
SLC - 50	500/5A	1	10VA	50MM	20MM X 50MM
SLC - 50	600/5A	1	10VA	50MM	20MM X 50MM
SLC - 50	800/5A	1	10VA	50MM	20MM X 50MM
SLC - 50	1000/5A	1	10VA	50MM	20MM X 50MM
SLC - 50	1200/5A	1	10VA	50MM	20MM X 50MM
SLC - 65	600/5A	1	10VA	65MM	-
SLC - 65	800/5A	1	10VA	65MM	-
SLC - 65	1000/5A	1	10VA	65MM	-
SLC - 65	1200/5A	1	10VA	65MM	-
SLC - 65	1600/5A	1	10VA	65MM	-
SLC - 65	2000/5A	1	10VA	65MM	-
SLC - 100	1200/5A	1	10VA	-	100MM X 50MM
SLC - 100	1600/5A	1	10VA	-	100MM X 50MM
SLC - 100	2000/5A	1	10VA	-	100MM X 50MM
SLC - 125	2500/5A	1	10VA	-	125MM X 50MM
SLC - 125	3000/5A	1	10VA	-	125MM X 50MM
SLC - 125	3200/5A	1	10VA	-	125MM X 50MM
SLC - 125	4000/5A	1	10VA	-	125MM X 50MM

### Technical features

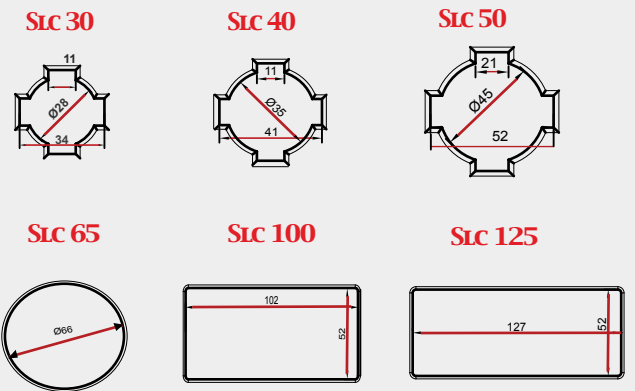
SPECIFICATIONS	
Reference specification	EN/IEC 61869-1, 61869-2
Rated primary current Ipr:	30A TO 4000A
Working frequency:	47...63Hz
Rated continuous thermal current Icth:	100% Ipr
Rated short-time thermal current Ith:	< 60Ipr
Rated dynamic current Idyn:	2,5Ith
Instrument security factor (FS):	≤ 5
Rated secondary current Isr:	5
Max. power dissipation	≤ 20W
Allowed max cable or busbar temperature:	125°C
INSULATION REQUIREMENTS	
Type	Dry transformer, air insulation
Highest voltage for equipment Um:	0.72kV r.m.s.
Rated insulation level:	3kV r.m.s. 50Hz/1min
ENVIRONMENTAL CONDITIONS	
Nominal temperature range:	-25...50°C
Limit temperature range for storage:	-40...85°C
Relative humidity:	≤ 85%
Suitable for tropical climates	yes
CONNECTION	
Primary winding:	Passing bus bar
Secondary winding:	tightening by nut M4
MECHANICAL FEATURES	
Housing material:	self extinguishing polycarbonate
Mounting:	screw type on bar
Weight:	-

### Dimensions SLC



MODEL	A (mm)	B (mm)	C (mm)
SLC 30	96	80	50
SLC 40	96	80	50
SLC 50	126	104	52
SLC 65	142	120	52
SLC 100	126	142	50
SLC 125	138	170	50

#### Wiring diagrams



NOTE: On request orders for types different from table are accepted. 1A Secondary available



**FICO hi-tech (pvt) ltd**  
power of applied intelligence

FICO street climaxabad, GT road, gujranwala, Pakistan.

TEL. (0092) 55325553-4  
 MOB. (0092) 3217422155  
 E-MAIL sales@ficohittech.com  
 WEBSITE www.ficohittech.com

