

# Current transformers - SDH & TAB series RECTANGULAR MODEL

## Cable/passing bar single-phase current transformers

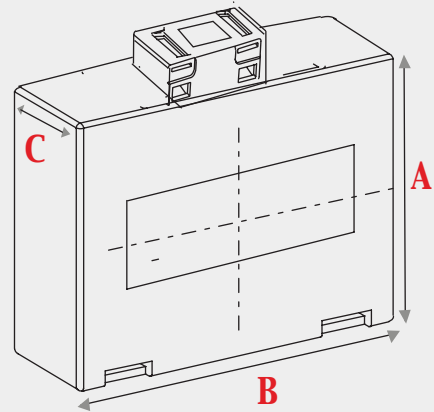


MODEL (INNER WINDOW SIZE)	Ip (primary)	Is (secondary)	Class 1	Class 0.5	Protection class 5p10
SDH - 130 X 80	3000/5A	5A/1A	10VA - 15VA	7.5VA- 10VA	10VA - for Is=5A
SDH - 130 X 80	4000/5A	5A/1A	15VA - 22.5VA	10VA - 15VA	10VA - for Is=5A
SDH - 130 X 80	5000/5A	5A/1A	15VA - 30VA	15VA-22.5VA	10VA - for Is=5A
SDH - 130 X 80	6000/5A	5A/1A	15VA - 45VA	15VA-30VA	10VA - for Is=5A
SDH - 130 X 80	8000/5A	5A/1A	30VA - 60VA	30VA-45VA	10VA - for Is=5A
SDH - 150 X 110	4000/5A	5A/1A	10VA - 15VA	7.5VA-10VA	10VA - for Is=5A
SDH - 150 X 110	5000/5A	5A/1A	15VA - 22.5VA	10VA - 15VA	10VA - for Is=5A
SDH - 150 X 110	6000/5A	5A/1A	15VA - 30VA	15VA-22.5VA	10VA - for Is=5A
SDH - 150 X 110	8000/5A	5A/1A	15VA - 45VA	15VA-30VA	10VA - for Is=5A
SDH - 150 X 110	10,000/5A	5A/1A	30VA - 60VA	30VA-45VA	10VA - for Is=5A
SDH - 50 X 150	3000A-10000A	5A/1A	10VA - 15VA	7.5VA-10VA	10VA - for Is=5A
SDH - 100 X 265	3000A-10000A	5A/1A	15VA - 22.5VA	10VA - 15VA	10VA - for Is=5A
SDH - 65 X 265	3000A-10000A	5A/1A	10VA - 15VA	7.5VA-10VA	10VA - for Is=5A
TAB SERIES	Ip (primary)	Is (secondary)	Class 1	Class 0.5	Protection class 5p10
TAB 3 - 60 X 20	8000/5A	5A/1A	10VA - 15VA	7.5VA-10VA	10VA - for Is=5A
TAB 3 - 60 X 20	3000/5A	5A/1A	15VA - 22.5VA	10VA - 15VA	10VA - for Is=5A
TAB 3 - 60 X 20	4000/5A	5A/1A	10VA - 15VA	7.5VA-10VA	10VA - for Is=5A
TAB 3 - 60 X 20	5000/5A	5A/1A	15VA - 22.5VA	10VA - 15VA	10VA - for Is=5A
TAB 3 - 60 X 20	6000/5A	5A/1A	10VA - 15VA	7.5VA-10VA	10VA - for Is=5A
TAB 3 - 60 X 20	4000/5A	5A/1A	15VA - 22.5VA	10VA - 15VA	10VA - for Is=5A
TAB 3 - 60 X 20	5000/5A	5A/1A	10VA - 15VA	7.5VA-10VA	10VA - for Is=5A
TAB 3 - 60 X 20	6000/5A	5A/1A	15VA - 22.5VA	10VA - 15VA	10VA - for Is=5A
TAB 3 - 60 X 20	4000/5A	5A/1A	10VA - 15VA	7.5VA-10VA	10VA - for Is=5A
TAB 3 - 60 X 20	5000/5A	5A/1A	15VA - 22.5VA	10VA - 15VA	10VA - for Is=5A
TAB 3 - 60 X 20	6000/5A	5A/1A	10VA - 15VA	7.5VA-10VA	10VA - for Is=5A
TAB 3 - 60 X 20	4000/5A	5A/1A	15VA - 22.5VA	10VA - 15VA	10VA - for Is=5A
TAB 3 - 60 X 20	5000/5A	5A/1A	10VA - 15VA	7.5VA-10VA	10VA - for Is=5A
TAB 3 - 60 X 20	6000/5A	5A/1A	15VA - 22.5VA	10VA - 15VA	10VA - for Is=5A
TAB 3 - 60 X 20	4000/5A	5A/1A	10VA - 15VA	7.5VA-10VA	10VA - for Is=5A
TAB 3 - 60 X 20	5000/5A	5A/1A	15VA - 22.5VA	10VA - 15VA	10VA - for Is=5A
TAB 3 - 60 X 20	6000/5A	5A/1A	10VA - 15VA	7.5VA-10VA	10VA - for Is=5A

### Technical features

SPECIFICATIONS	
Reference specification	EN/IEC 61869-1, 61869-2
Rated primary current Ipr:	100A TO 10,000A
Working frequency:	47...63Hz
Rated continuous thermal current Icth:	100% Ipr
Rated short-time thermal current Ith:	< 60Ipr
Rated dynamic current Idyn :	2,5Ith
Instrument security factor (FS):	≤ 5
Rated secondary current Isr :	5
Max. power dissipation	≤ 20W
Allowed max cable or busbar temperature:	125°C
INSULATION REQUIREMENTS	
Type	Dry transformer, air insulation
Highest voltage for equipment Um:	0.72kV r.m.s.
Rated insulation level:	3kV r.m.s. 50Hz/1min
ENVIRONMENTAL CONDITIONS	
Nominal temperature range:	-25...50°C
Limit temperature range for storage:	-40...85°C
Relative humidity:	≤ 85%
Suitable for tropical climates	yes
CONNECTION	
Primary winding:	Passing bus bar
Secondary winding:	tightening by nut M4
MECHANICAL FEATURES	
Housing material:	self extinguishing polycarbonate
Mounting:	screw type on bar
Weight:	-

### Dimensions (outer)



Model	A (mm)	B (mm)	C (mm)
SDH 80X130	180	190	50
SDH 110X150	220	204	60
SDH 100X265	200	300	65
SDH 50X155	145	200	50
SDH 65X225	170	270	55
TLC-3	116	100	50
TLC-4	100	120	45
TLC-5	135	170	50

NOTE: On request orders for types different from table are accepted. 1A Secondary available

