



SINCE 1952

INDICATION LIGHT FIL MODEL

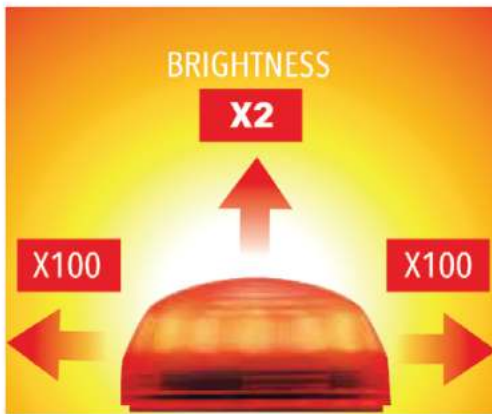


LED Lamp Ratings

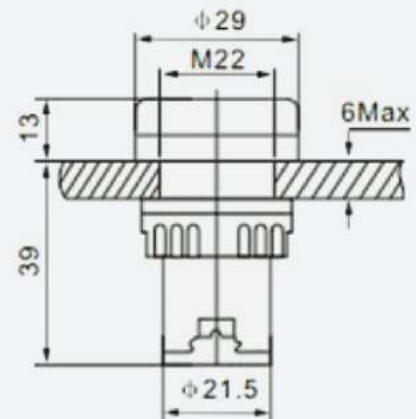
Rated Voltage	12V DC, 24V AC/DC, 220V-380 AC
Voltage Range	12V DC $\pm 5\%$, 24V AC/DC $\pm 10\%$, 220V - 380 AC $\pm 10\%$
LED Illumination Color	Red (R), Green (G), Yellow (Y), Blue (S)
Rated Current	12V DC: R, A, Y - 21mA; G, S, PW - 22mA 24V AC/DC, 220V AC: 24mA (all colors)
LED Life (Ref.)	Approx. 30,000 Hrs. at rated voltage @ 25°C in specified environmental conditions (The brightness reduces to 50% of initial value)
Equivalent Circuit	

Specifications

Rated Operating voltage (AC)	110-380V
Working frequency:	47...63Hz
Rated Operating voltage (DC)	6V - 48V
Rated operational current (mA):	< 20mA
Service life :	> 30,000
Brightness:	> 60
Operating Temperature	- 25 to +55°C (no freezing)
Storage Temperature	- 45 to +80°C (no freezing)
Operating Humidity	45-85%RH (no condensation)
Insulation Resistance	100M Ω (DC500V megger)
Over Voltage Category	II (IEC60664-1)
Impulse Dielectric Strength	2.5kV (IEC60664-1, IEC60947-5-1)
Pollution Degree	3 (IEC60947-5-1)
Dielectric Strength	Between terminals of different poles: 2,000V AC, 1 min Between live and non-live parts: 2,000V AC, 1 min
Vibration	Operation limit: 5-55Hz half amplitude: 0.5mm Damage limit: 30Hz half amplitude: 1.5mm
Shock	Operation limit: 100m/s ² (10G) Damage limit: 1000m/s ² (100G)
Resistance	Damage limit: 1000m/s ² (100G)
Degree of Protection	Panel front: IP66 (IEC 60529), UL Type 4X
Terminal Size	M3.5 screw Terminals: IP20
Tightening Torque	Terminal Screw: 1.0Nm Locking Ring: 2.0Nm
Wire Size	AWG16 ~ AWG14, 2 wires max.
Weight (approx.)	18g



Twice as bright as standard pilot lights when viewed from the front, and up to 100 times brighter than standard pilot lights when viewed from side angles.



FICO hi-tech (pvt) ltd

power of applied intelligence

FICO street climaxabad, GT road, gujranwala, Pakistan.

TEL: (0092) 55325553-4
MOB: (0092) 3217422155
E-MAIL: sales@fichotech.com
WEBSITE: www.fichotech.com

