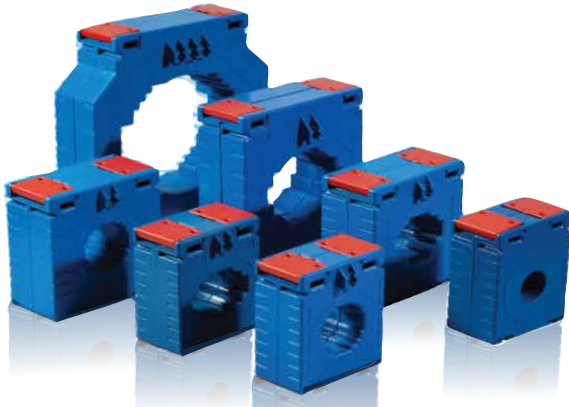




SINCE 1952

Current transformers - ELC SERIES ECONOMICAL MODEL



ELC - 20

I (pri)	I (sec)	Cl:1	Primary conductor	Round conductor
30A	5A	1VA PT1	-	20MM
60A	5A	1.5VA PT1	-	20MM

ELC - 30 s

I (pri)	I (sec)	Cl:1	Primary conductor	Round conductor
30A	5A	2.5VA - PT 4	30mmx10mm	30mm
60A	5A	2.5VA - pt 2	30mmx10mm	30mm
100A	5A	2.5VA	30mmx10mm	30mm
150A	5A	2.5VA	30mmx10mm	30mm
200A	5A	2.5VA	30mmx10mm	30mm
300A	5A	2.5VA	30mmx10mm	30mm
400A	5A	2.5VA	30mmx10mm	30mm

ELC - 40 s

I (pri)	I (sec)	Cl:1	Primary conductor	Round conductor
30A	5A	2.5VA - PT 4	40mmx10mm	30mm
60A	5A	2.5VA - pt 2	40mmx10mm	30mm
100A	5A	2.5VA	40mmx10mm	30mm
150A	5A	2.5VA	40mmx10mm	30mm
200A	5A	2.5VA	40mmx10mm	30mm
300A	5A	2.5VA	40mmx10mm	30mm
400A	5A	2.5VA	40mmx10mm	30mm

ELC - 30

I (pri)	I (sec)	Cl:1	Primary conductor	Round conductor
30A	5A	5VA (PT-4)	30mmx10mm	30mm
60A	5A	5VA (PT-2)	30mmx10mm	30mm
100A	5A	5VA	30mmx10mm	30mm
150A	5A	5VA	30mmx10mm	30mm
200A	5A	5VA	30mmx10mm	30mm
300A	5A	5VA	30mmx10mm	30mm
400A	5A	5VA	30mmx10mm	30mm

ELC - 40

I (pri)	I (sec)	Cl:1	Primary conductor	Round conductor
30A	5A	5VA (PT-4)	40mmx10mm	30mm
60A	5A	5VA (PT-2)	40mmx10mm	30mm
100A	5A	5VA	40mmx10mm	30mm
150A	5A	5VA	40mmx10mm	30mm
200A	5A	5VA	40mmx10mm	30mm
300A	5A	5VA	40mmx10mm	30mm
400A	5A	5VA	40mmx10mm	30mm

ELC - 60

I (pri)	I (sec)	Cl:1	Primary conductor	Round conductor
600A	5A	10VA	60mmx10mm, 50mmx30mm	50mm
800A	5A	10VA	60mmx10mm, 50mmx30mm	50mm
1000A	5A	10VA	60mmx10mm, 50mmx30mm	50mm
1200A	5A	10VA	60mmx10mm, 50mmx30mm	50mm

ELC - 80

I (pri)	I (sec)	Cl:1	Primary conductor	Round conductor
800A	5A	10VA	80mmx10mm, 60mmx30mm	66mm
1000A	5A	10VA	80mmx10mm, 60mmx30mm	66mm
1200A	5A	10VA	80mmx10mm, 60mmx30mm	66mm
1600A	5A	10VA	80mmx10mm, 60mmx30mm	66mm

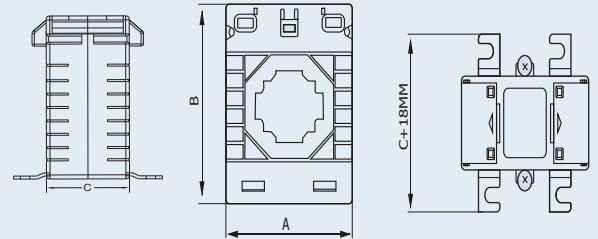
ELC - 100

I (pri)	I (sec)	Cl:1	Primary conductor	Round conductor
1000A	5A	10VA	100mmx30mm, 80mmx50mm	-
1200A	5A	10VA	100mmx30mm, 80mmx50mm	-
1600A	5A	10VA	100mmx30mm, 80mmx50mm	-
2000A	5A	10VA	100mmx30mm, 80mmx50mm	-
2400A	5A	10VA	100mmx30mm, 80mmx50mm	-
3000A	5A	10VA	100mmx30mm, 80mmx50mm	-
3200A	5A	10VA	100mmx30mm, 80mmx50mm	-

Technical features

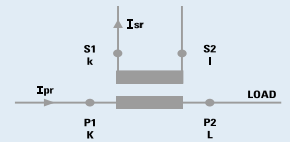
SPECIFICATIONS	
Reference specification	EN/IEC 61869-1, 61869-2
Rated primary current I _{pr} :	250...2000A 300...2500A
Working frequency:	47...63Hz
Rated continuous thermal current I _{cth} :	100% I _{pr}
Rated short-time thermal current I _{th} :	< 60I _{pr}
Rated dynamic current I _{dyn} :	2.5I _{th}
Instrument security factor (FS):	≤ 5
Rated secondary current I _{sr} :	5 - 1A
Max. power dissipation	≤ 19W
Allowed max cable or busbar temperature:	125°C
INSULATION REQUIREMENTS	
Type	Dry transformer, air insulation
Highest voltage for equipment U _m :	0.72kV r.m.s.
Rated insulation level:	3kV r.m.s. 50Hz/1min
ENVIRONMENTAL CONDITIONS	
Nominal temperature range:	-25...50°C
Limit temperature range for storage:	-40...85°C
Relative humidity:	≤ 85%
Suitable for tropical climates	yes
CONNECTION	
Primary winding:	Passing bus bar
Secondary winding:	tightening by nut M4
MECHANICAL FEATURES	
Housing material:	self extinguishing polycarbonate
Mounting:	screw type on bar
Weight:	

Dimensions ELC

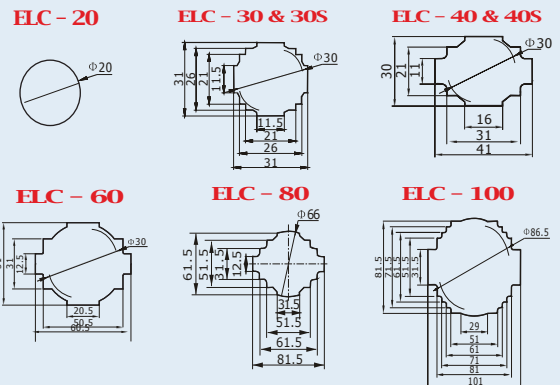


MODEL	A (mm)	B (mm)	C (mm)
ELC-20	62	77	36
ELC-30S	80	87	41
ELC-40S	80	87	41
ELC-30	63	78	35
ELC-40	63	78	35
ELC-60	100	118	41
ELC-80	110	130	40
ELC-100	145	154	38

Wiring diagrams



DIMENSIONAL DRAWING



NOTE: On request orders for types different from table are accepted. 1A Secondary available



made in Pakistan

